

Memorandum

November 19, 2020

To: Finance and Ordinance Committees

From: Aaron Grisdale, Town Clerk

Cc: Mayor & Town Council; Angela K. Clem, Town Manager; Administration; Media

Re: Committee Meetings – 23 November 2020

This electronic meeting is being held pursuant to and in compliance with the emergency ordinance adopted by Town Council on April 1, 2020. Due to the Virginia Governor's limits on public gatherings and to encourage social distancing, the public is strongly encouraged to not attend in person. The meeting will be available for interested citizens to view online at <https://www.townofwoodstockva.gov>.

The purpose of this memorandum is to notify you of the following committee meetings to be held on **Monday, November 23, 2020, beginning at 5:30 pm** in the Council Chambers of the Municipal Office. Agenda topic(s) include:

Meeting/Topic	Date/Time
Finance Committee Meeting <ul style="list-style-type: none">Discussion pertaining to replacement dump truck purchases	23 November 2020 at 5:30 pm
Ordinance Committee Meeting <ul style="list-style-type: none">Closed Session pursuant to § 2.2-3711. A.8, specifically, consultation with legal counsel employed by a public body regarding specific legal matters requiring the provision of legal advice by such counsel, specifically pertaining to a public accommodation request.	Immediately following Finance Committee Meeting

If you should have any questions or concerns, please contact me at the Municipal Office.

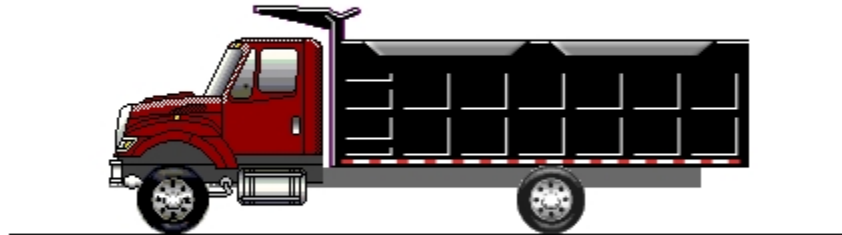
Prepared For:

Town of Woodstock
James Didawick
135 N Main St.
Woodstock, VA 22664-1416
(540)459 - 3045
Reference ID: use this one

Presented By:

HIGHWAY MOTORS INC
Andrew A Beatty
130 CENTURY LANE
WINCHESTER VA 22603 -
(540)665-6447

Thank you for the opportunity to provide you with the following quotation on a new International truck. I am sure the following detailed specification will meet your operational requirements, and I look forward to serving your business needs.



Model Profile
2019 HV507 SFA (HV507)

AXLE CONFIG:	4X2
APPLICATION:	Construction Dump
MISSION:	Requested GVWR: 37000. Calc. GVWR: 39000 Calc. Start / Grade Ability: 31.76% / 3.15% @ 55 MPH Calc. Geared Speed: 76.9 MPH
DIMENSION:	Wheelbase: 189.00, CA: 114.00, Axle to Frame: 75.00
ENGINE, DIESEL:	{Cummins L9 350} EPA 2017, 350HP @ 2000 RPM, 1000 lb-ft Torque @ 1400 RPM, 2200 RPM Governed Speed, 350 Peak HP (Max)
TRANSMISSION, AUTOMATIC:	{Allison 3000 RDS} 5th Generation Controls, Close Ratio, 6-Speed with Double Overdrive, with PTO Provision, Less Retarder, Includes Oil Level Sensor, with 80,000-lb GVW and GCW Max, On/Off Highway
CLUTCH:	Omit Item (Clutch & Control)
AXLE, FRONT NON-DRIVING:	{Meritor MFS-16-143A} Wide Track, I-Beam Type, 16,000-lb Capacity
AXLE, REAR, SINGLE:	{Dana Spicer S23-190D} Single Reduction, Hypoid Gearing, 23,000-lb Capacity, Driver Control Locking Differential, R Wheel Ends Gear Ratio: 5.38
CAB:	Conventional, Day Cab
TIRE, FRONT:	(2) 315/80R22.5 Load Range L CITY SERVICE HA3 (CONTINENTAL), 480 rev/mile, 68 MPH, All-Position
TIRE, REAR:	(4) 11R22.5 Load Range H HDR2 (CONTINENTAL), 491 rev/mile, 75 MPH, Drive
SUSPENSION, REAR, SINGLE:	23,500-lb Capacity, Vari-Rate Springs, with 4500-lb Capacity Auxiliary Rubber Springs
FRAME REINFORCEMENT:	Full Outer C-Channel, Heat Treated Alloy Steel (120,000 PSI Yield), 10.813" x 3.892" x 0.312" (274.6mm x 98.8mm x 7.9mm), 480.0" (12192mm) OAL
PAINT:	Cab schematic 100WK Location 1: 2303, Red (Std) Chassis schematic N/A

<u>Code</u>	<u>Description</u>
HV50700	Base Chassis, Model HV507 SFA with 189.00 Wheelbase, 114.00 CA, and 75.00 Axle to Frame.
1570	TOW HOOK, FRONT (2) Frame Mounted
1ANA	AXLE CONFIGURATION {Navistar} 4x2
	<u>Notes</u> : Pricing may change if axle configuration is changed.
1CBU	FRAME RAILS Heat Treated Alloy Steel (120,000 PSI Yield); 10.125" x 3.580" x 0.312" (257.2mm x 90.9mm x 8.0mm); 480.0" (12192) Maximum OAL
1GBP	FRAME REINFORCEMENT Full Outer C-Channel, Heat Treated Alloy Steel (120,000 PSI Yield), 10.813" x 3.892" x 0.312" (274.6mm x 98.8mm x 7.9mm), 480.0" (12192mm) OAL
1LEH	LICENSE PLATE HOLDER Single Plate, Swing Type, Mounted Below Front Bumper
1LNR	BUMPER, FRONT Swept Back, Steel, Painted 0001 Canyon Black, Heavy Duty
1UAN	FRAME EXTENSION, FRONT Integral; 27" In Front of Grille, with Outer C-Channel Reinforcement
1WEV	WHEELBASE RANGE 146" (370cm) Through and Including 195" (495cm)
2ARU	AXLE, FRONT NON-DRIVING {Meritor MFS-16-143A} Wide Track, I-Beam Type, 16,000-lb Capacity
3ADE	SUSPENSION, FRONT, SPRING Parabolic Taper Leaf, Shackle Type, 16,000-lb Capacity, with Shock Absorbers
4091	BRAKE SYSTEM, AIR Dual System for Straight Truck Applications
4193	BRAKES, FRONT, AIR CAM 16.5" x 6", Includes 24 SqIn Long Stroke Brake Chambers
4619	TRAILER CONNECTIONS Four-Wheel, with Hand Control Valve and Tractor Protection Valve, for Straight Truck
	<u>Notes</u> : When electronic stability control is ordered with trailer connections on a 4x2 truck, please check the operator manual for trailer weight restrictions.
4732	DRAIN VALVE {Berg} with Pull Chain, for Air Tank
4AZA	AIR BRAKE ABS {Bendix AntiLock Brake System} 4-Channel (4 Sensor/4 Modulator) Full Vehicle Wheel Control System
4EBD	AIR DRYER {Wabco System Saver 1200} with Heater
4EXU	BRAKE CHAMBERS, REAR AXLE {Bendix EverSure} 30/30 SqIn Spring Brake
4EXV	BRAKE CHAMBERS, FRONT AXLE {Bendix} 24 SqIn
4NDB	BRAKES, REAR, AIR CAM S-Cam; 16.5" x 7.0"; Includes 30/30 Sq.In. Long Stroke Brake Chamber and Spring Actuated Parking Brake
4SPA	AIR COMPRESSOR {Cummins} 18.7 CFM
4VKC	AIR DRYER LOCATION Mounted Inside Left Rail, Back of Cab
4WZJ	AIR TANK LOCATION (2) : One Mounted Under Each Rail, Front of Rear Suspension, Parallel to Rail
5710	STEERING COLUMN Tilting and Telescoping
5CAW	STEERING WHEEL 4-Spoke; 18" Dia., Black
5PSL	STEERING GEAR {Sheppard M110} Power
7BEV	AFTERTREATMENT COVER Steel, Black

<u>Code</u>	<u>Description</u>
7BKS	EXHAUST SYSTEM Single, Horizontal Aftertreatment Device, Frame Mounted Right Side Under Cab, for Single Vertical Tail Pipe, Frame Mounted Right Side Back of Cab
7SCP	ENGINE EXHAUST BRAKE for Cummins ISB/B6.7/ISL/L9 Engine with Variable Vane Turbo Charger
7WAZ	TAIL PIPE (1) Turnback Type
7WDM	EXHAUST HEIGHT 10'
7WDN	MUFFLER/TAIL PIPE GUARD (1) Aluminum
8000	ELECTRICAL SYSTEM 12-Volt, Standard Equipment
8541	HORN, ELECTRIC (2) Disc Style
8GXB	ALTERNATOR {Leece-Neville AVI160P2003} Brush Type, 12 Volt, 240 Amp Capacity, Pad Mount, with Remote Sense
8HAB	BODY BUILDER WIRING Back of Day Cab at Left Frame or Under Sleeper, Extended or Crew Cab at Left Frame; Includes Sealed Connectors for Tail/Amber Turn/Marker/ Backup/Accessory Power/Ground and Sealed Connector for Stop/Turn
8MJU	BATTERY SYSTEM {Fleetrite} Maintenance-Free, (3) 12-Volt 2850CCA Total, Top Threaded Stud
8RGA	2-WAY RADIO Wiring Effects; Wiring with 20 Amp Fuse Protection, Includes Ignition Wire with 5 Amp Fuse, Wire Ends Heat Shrink and Routed to Center of Header Console in Cab
8RML	RADIO AM/FM/WB/Clock/Bluetooth/USB Input/Auxiliary Input, MP3, Apple Device Play & Control
8RMZ	SPEAKERS (2) 6.5" Dual Cone Mounted in Both Doors, (2) 5.25" Dual Cone Mounted in Both B-Pillars
8RNB	CB RADIO Accommodation Package; Header Mounted; Feeds From Accessory Side of Ignition Switch; Includes Power Source and One (1) Antenna, Antenna Base with Wiring on Left Side Mirror
8THJ	AUXILIARY HARNESS 3.0' for Auxiliary Front Head Lights and Turn Signals for Front Plow Applications
8TMG	TRAILER CONNECTION SOCKET {Phillips} 7-Way, Mounted at Rear of Frame, Wired for Turn Signals Combined with Stop, Compatible with Trailers with Combined Stop, Tail, Turn Lamps
8WBW	JUMP START STUD Remote Mounted
8WPH	CLEARANCE/MARKER LIGHTS (5) {Truck Lite} Amber LED Lights, Flush Mounted on Cab or Sunshade
8WPZ	TEST EXTERIOR LIGHTS Pre-Trip Inspection will Cycle all Exterior Lamps Except Back-up Lights
8WRB	HEADLIGHTS ON W/WIPERS Headlights Will Automatically Turn on if Windshield Wipers are turned on
8WSM	SWITCH, BODY CIRCUITS, MID with Remote Power Module Mounted on Battery Box Back of Cab, Up to 6 Outputs & 6 Inputs Each, Max 20 amp per Channel, Max 80 amp Total, Includes 1 Switch Pack with Momentary Switches
8WTK	STARTING MOTOR {Delco Remy 38MT Type 300} 12 Volt, Less Thermal Over-Crank Protection
8WWJ	INDICATOR, LOW COOLANT LEVEL with Audible Alarm
8XAH	CIRCUIT BREAKERS Manual-Reset (Main Panel) SAE Type III with Trip Indicators, Replaces All Fuses
8XBK	SWITCH, AUXILIARY Switch 40 amp Circuit for Customer Use; Includes Wiring Connection at Power Distribution Center (PDC) and Control in Cab
8XDU	BATTERY BOX Steel, with Aluminum Cover, 14" Wide, 2-3 Battery Capacity, Mounted Left Side Under Cab
8XGT	TURN SIGNALS, FRONT Includes LED Side Turn Lights Mounted on Fender
8XHN	HORN, AIR Single Trumpet, Black, with Lanyard Pull Cord
8XHR	POWER SOURCE, ADDITIONAL Auxiliary Power Outlet (APO) & USB Port, Located in the Instrument Panel

<u>Code</u>	<u>Description</u>
9585	FENDER EXTENSIONS Rubber
9AAB	LOGOS EXTERIOR Model Badges
9AAE	LOGOS EXTERIOR, ENGINE Badges
9HAN	INSULATION, UNDER HOOD for Sound Abatement
9HBM	GRILLE Stationary, Chrome
9HBN	INSULATION, SPLASH PANELS for Sound Abatement
9WAC	BUG SCREEN Mounted Behind Grille
9WBC	FRONT END Tilting, Fiberglass, with Three Piece Construction, for WorkStar/HV
10022	CHASSIS COATING Corrosion Resistant E-Coat Primer Coating for Reinforced Frame Rails
10060	PAINT SCHEMATIC, PT-1 Single Color, Design 100
	<u>Includes</u> : PAINT SCHEMATIC ID LETTERS "WK"
10761	PAINT TYPE Base Coat/Clear Coat, 1-2 Tone
10JPA	CUSTOMER IDENTITY for National Joint Powers Alliance
10SLV	PROMOTIONAL PACKAGE Government Silver Package
10WCY	SAFETY TRIANGLES
11001	CLUTCH Omit Item (Clutch & Control)
12703	ANTI-FREEZE Red, Extended Life Coolant; To -40 Degrees F/ -40 Degrees C, Freeze Protection
12849	BLOCK HEATER, ENGINE 120V/1000W, for Cummins ISB/B6.7/ISL/L9 Engines
12EHX	ENGINE, DIESEL {Cummins L9 350} EPA 2017, 350HP @ 2000 RPM, 1000 lb-ft Torque @ 1400 RPM, 2200 RPM Governed Speed, 350 Peak HP (Max)
12THT	FAN DRIVE {Horton Drivemaster} Two-Speed Type, Direct Drive, with Residual Torque Device for Disengaged Fan Speed
12UWZ	RADIATOR Aluminum, Cross Flow, Front to Back System, 1228 SqIn, with 1167 SqIn Charge Air Cooler, Includes In-Tank Oil Cooler
12VBG	AIR CLEANER Dual Element, with Integral Pre-Cleaner
12VGZ	FEDERAL EMISSIONS {Cummins L9} EPA, OBD and GHG Certified for Calendar Year 2019
12VXV	THROTTLE, HAND CONTROL Engine Speed Control for PTO; Electronic, Mobile, Variable Speed; (Range 2 to 20 MPH) Mounted on Steering Wheel
12WBR	FAN OVERRIDE Manual; with Electric Switch on Instrument Panel, (Fan On with Switch On)
12WZE	EMISSION COMPLIANCE Federal, Does Not Comply with California Clean Air Idle Regulations
12XAT	ENGINE CONTROL, REMOTE MOUNTED Provision for; Includes Wiring for Body Builder Installation of PTO Controls, with Ignition Switch Control, for Cummins ISB/B6.7 and ISL/L9 Engines
13AVR	TRANSMISSION, AUTOMATIC {Allison 3000 RDS} 5th Generation Controls, Close Ratio, 6-Speed with Double Overdrive, with PTO Provision, Less Retarder, Includes Oil Level Sensor, with 80,000-lb GVW and GCW Max, On/Off Highway
13WET	TRANSMISSION SHIFT CONTROL Column Mounted Stalk Shifter, Not for Use with Allison 1000 & 2000 Series Transmission
13WLP	TRANSMISSION OIL Synthetic; 29 thru 42 Pints

<u>Code</u>	<u>Description</u>
13WUC	ALLISON SPARE INPUT/OUTPUT for Rugged Duty Series (RDS) and Regional Haul Series (RHS), General Purpose Trucks, Construction, Package Number 223
13WYU	SHIFT CONTROL PARAMETERS {Allison} 3000 or 4000 Series Transmissions, Performance Programming
13XAA	PTO CONTROL, DASH MOUNTED For Customer Provided PTO; Includes Switch, Electric/Air Solenoid, Piping and Wiring
13XAL	PTO LOCATION Customer Intends to Install PTO at Left Side of Transmission
14803	BUSHINGS, EQUALIZER BEAM Bronze Center Bushings; for Hendrickson Suspension
14AHG	AXLE, REAR, SINGLE {Dana Spicer S23-190D} Single Reduction, Hypoid Gearing, 23,000-lb Capacity, Driver Control Locking Differential, R Wheel Ends . Gear Ratio: 5.38
14VAH	SUSPENSION, REAR, SINGLE 23,500-lb Capacity, Vari-Rate Springs, with 4500-lb Capacity Auxiliary Rubber Springs
14WLT	AXLE, PUSHER, LIFT TYPE, ID Customer Installed Pusher Type Axle; Nothing Installed at Manufacturing Plant
14WMG	AXLE, REAR, LUBE {EmGard FE-75W-90} Synthetic Oil; 30 thru 39.99 Pints
15LMN	FUEL/WATER SEPARATOR {Racor 400 Series,} 12 VDC Electric Heater, Includes Pre-Heater, with Primer Pump, Includes Water-in-Fuel Sensor
15LPE	LOCATION FUEL/WATER SEPARATOR Mounted Inboard of 5 Gallon DEF Tank, Under Cab
15SXJ	FUEL TANK Top Draw, Non-Polished Aluminum, 24" Dia, 50 US Gal (189L), Mounted Left Side, Under Cab
15WCN	DEF TANK 5 US Gal (19L) Capacity, Frame Mounted Outside Left Rail, Under Cab
16030	CAB Conventional, Day Cab
16BAM	AIR CONDITIONER with Integral Heater and Defroster
16GDC	GAUGE CLUSTER Base Level; English with English Speedometer and Tachometer, for Air Brake Chassis, Includes Engine Coolant Temperature, Primary and Secondary Air Pressure, Fuel and DEF Gauges, Oil Pressure Gauge, Includes 3 Inch Monochromatic Text Display
16GHU	GRAB HANDLE, CAB INTERIOR (2) Safety Yellow
16HKT	IP CLUSTER DISPLAY On Board Diagnostics Display of Fault Codes in Gauge Cluster
16JNT	SEAT, DRIVER {National 2000} Air Suspension, High Back with Integral Headrest, Vinyl, Isolator, 1 Chamber Lumbar, with 2 Position Front Cushion Adjust, -3 to +14 Degree Angle Back Adjust
16RPV	SEAT, PASSENGER {National 2000} Air Suspension, High Back with Integral Headrest, Vinyl, Isolated, 1 Chamber Lumbar, 2 Position Front Cushion Adjustment, -3 to +14 Degree Back Adjust
16SNP	MIRRORS (2) C-Loop, Power Adjust, Heated, Black Heads and Arms, 7.5" x 14" Flat Glass, Includes 7.5" x 7" Convex Mirrors, for 102" Load Width
	<u>Notes</u>
	: Mirror Dimensions are Rounded to the Nearest 0.5"
16VCC	SEAT BELT All Orange; 1 to 3
16VKB	CAB INTERIOR TRIM Classic, for Day Cab
	<u>Includes</u>
	: CONSOLE, OVERHEAD Molded Plastic with Dual Storage Pockets, Retainer Nets and CB Radio Pocket; Located Above Driver and Passenger
	: DOME LIGHT, CAB Door Activated and Push On-Off at Light Lens, Timed Theater Dimming, Integral to Overhead Console, Center Mounted
	: SUN VISOR (2) Padded Vinyl; 2 Moveable (Front-to-Side) Primary Visors, Driver Side with Toll Ticket Strap

<u>Code</u>	<u>Description</u>
16WBY	ARM REST, RIGHT, DRIVER SEAT
16WBZ	ARM REST, LEFT, PASSENGER SEAT
16WJU	WINDOW, POWER (2) and Power Door Locks, Left and Right Doors, Includes Express Down Feature
16WSK	CAB REAR SUSPENSION Air Bag Type
16XJN	INSTRUMENT PANEL Flat Panel
16XWD	SUNSHADE, EXTERIOR Aerodynamic, Painted Roof Color, with Integral Clearance/Marker Lights
16ZBT	ACCESS, CAB Steel, Driver & Passenger Sides, Two Steps per Door, for use with Day Cab and Extended Cab
27DUS	WHEELS, FRONT {Accuride 41730} DISC; 22.5x9.00 Rims, Extra Polish Aluminum, 10-Stud, 285.75mm BC, Hub-Piloted, Flanged Nut, with Steel Hubs
28DMC	WHEELS, REAR DUAL DISC; 22.5x8.25 Rims, Polished Aluminum, 10-Stud, 285.75mm BC, Hub-Piloted, Flanged Nut, with Steel Hubs
7382135423	(4) TIRE, REAR 11R22.5 Load Range H HDR2 (CONTINENTAL), 491 rev/mile, 75 MPH, Drive
7792545435	(2) TIRE, FRONT 315/80R22.5 Load Range L CITY SERVICE HA3 (CONTINENTAL), 480 rev/mile, 68 MPH, All-Position

Services Section:

40128	WARRANTY Standard for HV507, HV50B, HV607 Models, Effective with Vehicles Built July 1, 2017 or Later, CTS-2025A
1	J&J Dump Body
2	Wheels
3	Tires

<u>Description</u>	<u>(US DOLLAR)</u>	<u>Price</u>
Factory List Prices:		
Product Items	\$137,743.00	
Service Items	\$0.00	
Total Factory List Price Including Options:		\$137,743.00
Freight	\$2,350.00	
Total Freight:		\$2,350.00
Total Factory List Price Including Freight:		\$140,093.00
Less Customer Allowance:		(\$49,495.26)
Total Vehicle Price:		\$90,597.74
Total Body/Allied Equipment:		\$63,511.68
Total Sale Price:		\$154,109.42
Total Per Vehicle Sales Price:		\$154,109.42
Net Sales Price:		\$154,109.42

Please feel free to contact me regarding these specifications should your interests or needs change. I am confident you will be pleased with the quality and service of an International vehicle.

Approved by Seller:

Accepted by Purchaser:

Official Title and Date

Firm or Business Name

Authorized Signature

Authorized Signature and Date

This proposal is not binding upon the seller without Seller's Authorized Signature

Official Title and Date

The TOPS FET calculation is an estimate for reference purposes only. The seller or retailer is responsible for calculating and reporting/paying appropriate FET to the IRS.

The limited warranties applicable to the vehicles described herein are Navistar, Inc.'s standard printed warranties which are incorporated herein by reference and to which you have been provided a copy and hereby agree to their terms and conditions.

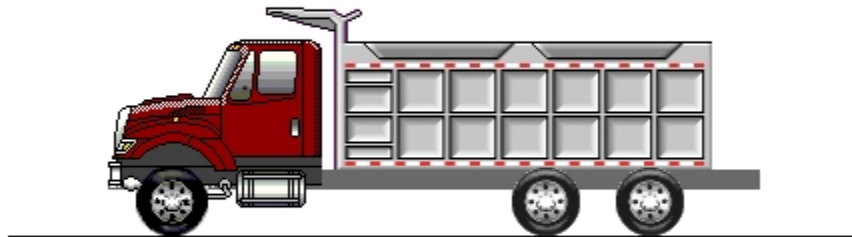
Prepared For:

Town of Woodstock
James Didawick
135 N Main St.
Woodstock, VA 22664-1416
(540)459 - 3045
Reference ID: N/A

Presented By:

HIGHWAY MOTORS INC
Andrew A Beatty
130 CENTURY LANE
WINCHESTER VA 22603 -
(540)665-6447

Thank you for the opportunity to provide you with the following quotation on a new International truck. I am sure the following detailed specification will meet your operational requirements, and I look forward to serving your business needs.



Model Profile
2021 HV507 SFA (HV507)

AXLE CONFIG:	6X4
APPLICATION:	Construction Dump
MISSION:	Requested GVWR: 58000. Calc. GVWR: 58000 Calc. Start / Grade Ability: 19.72% / 2.46% @ 55 MPH Calc. Geared Speed: 74.6 MPH
DIMENSION:	Wheelbase: 213.00, CA: 138.00, Axle to Frame: 81.00
ENGINE, DIESEL:	{Cummins L9 370} EPA 2017, 370HP @ 2000 RPM, 1250 lb-ft Torque @ 1400 RPM, 2100 RPM Governed Speed, 370 Peak HP (Max)
TRANSMISSION, AUTOMATIC:	{Allison 3000 RDS} 5th Generation Controls, Close Ratio, 6-Speed with Double Overdrive, with PTO Provision, Less Retarder, Includes Oil Level Sensor, with 80,000-lb GVW and GCW Max, On/Off Highway
CLUTCH:	Omit Item (Clutch & Control)
AXLE, FRONT NON-DRIVING:	{Meritor MFS-18-133A} Wide Track, I-Beam Type, 18,000-lb Capacity
AXLE, REAR, TANDEM:	{Meritor MT-40-14X-5DCR-P} Single Reduction, 40,000-lb Capacity, with Lube Oil Pump, .5"(12.7mm) Wall Housing Thickness, Driver Controlled Locking Differential in Forward-Rear and Rear-Rear Axle, R Wheel Ends Gear Ratio: 5.29
CAB:	Conventional, Day Cab
TIRE, FRONT:	(2) 315/80R22.5 Load Range L HAU 3 WT (CONTINENTAL), 480 rev/mile, 68 MPH, All-Position
TIRE, REAR:	(8) 11R22.5 Load Range H HDR2 (CONTINENTAL), 491 rev/mile, 75 MPH, Drive
SUSPENSION, REAR, TANDEM:	{Hendrickson HMX-400-52} Walking Beam, 40,000-lb Capacity, 52" Axle Spacing, Rubber Springs, with Transverse Torque Rods, Rubber End Bushings
FRAME REINFORCEMENT:	Full Outer C-Channel, Heat Treated Alloy Steel (120,000 PSI Yield), 10.813" x 3.892" x 0.312" (274.6mm x 98.8mm x 7.9mm), 480.0" (12192mm) OAL
PAINT:	Cab schematic 100WK Location 1: 2303, Red (Std) Chassis schematic N/A

<u>Code</u>	<u>Description</u>
HV50700	Base Chassis, Model HV507 SFA with 213.00 Wheelbase, 138.00 CA, and 81.00 Axle to Frame.
1570	TOW HOOK, FRONT (2) Frame Mounted
1AND	AXLE CONFIGURATION {Navistar} 6x4
	<u>Notes</u> : Pricing may change if axle configuration is changed.
1CBU	FRAME RAILS Heat Treated Alloy Steel (120,000 PSI Yield); 10.125" x 3.580" x 0.312" (257.2mm x 90.9mm x 8.0mm); 480.0" (12192) Maximum OAL
1GBP	FRAME REINFORCEMENT Full Outer C-Channel, Heat Treated Alloy Steel (120,000 PSI Yield), 10.813" x 3.892" x 0.312" (274.6mm x 98.8mm x 7.9mm), 480.0" (12192mm) OAL
1LNR	BUMPER, FRONT Swept Back, Steel, Painted 0001 Canyon Black, Heavy Duty
1UAN	FRAME EXTENSION, FRONT Integral; 27" In Front of Grille, with Outer C-Channel Reinforcement
1WGB	WHEELBASE RANGE 177" (450cm) Through and Including 226" (575cm)
2ARZ	AXLE, FRONT NON-DRIVING {Meritor MFS-18-133A} Wide Track, I-Beam Type, 18,000-lb Capacity
3ADG	SUSPENSION, FRONT, SPRING Parabolic Taper Leaf, Shackle Type, 18,000-lb Capacity, with Shock Absorbers
4091	BRAKE SYSTEM, AIR Dual System for Straight Truck Applications
	<u>Includes</u> : BRAKE LINES Color and Size Coded Nylon : DRAIN VALVE Twist-Type : GAUGE, AIR PRESSURE (2) Air 1 and Air 2 Gauges; Located in Instrument Cluster : PARKING BRAKE CONTROL Yellow Knob, Located on Instrument Panel : PARKING BRAKE VALVE For Truck : QUICK RELEASE VALVE On Rear Axle for Spring Brake Release: 1 for 4x2, 2 for 6x4 : SPRING BRAKE MODULATOR VALVE R-7 for 4x2, SR-7 with relay valve for 6x4/8x6
4619	TRAILER CONNECTIONS Four-Wheel, with Hand Control Valve and Tractor Protection Valve, for Straight Truck
	<u>Notes</u> : When electronic stability control is ordered with trailer connections on a 4x2 truck, please check the operator manual for trailer weight restrictions.
4722	DRAIN VALVE {Bendix DV-2} Automatic, with Heater, for Air Tank
4AZA	AIR BRAKE ABS {Bendix AntiLock Brake System} 4-Channel (4 Sensor/4 Modulator) Full Vehicle Wheel Control System
4EBS	AIR DRYER {Bendix AD-9} with Heater
4EXU	BRAKE CHAMBERS, REAR AXLE {Bendix EverSure} 30/30 SqrIn Spring Brake
4EXV	BRAKE CHAMBERS, FRONT AXLE {Bendix} 24 SqrIn
4LAG	SLACK ADJUSTERS, FRONT {Gunite} Automatic
4LGG	SLACK ADJUSTERS, REAR {Gunite} Automatic
4SPA	AIR COMPRESSOR {Cummins} 18.7 CFM
4VKC	AIR DRYER LOCATION Mounted Inside Left Rail, Back of Cab
4VKJ	AIR TANK LOCATION (2) Mounted Under Battery Box, Outside Left Rail, Back of Cab, Perpendicular to Rail
4WBX	DUST SHIELDS, FRONT BRAKE for Air Cam Brakes

<u>Code</u>	<u>Description</u>
4WDM	DUST SHIELDS, REAR BRAKE for Air Cam Brakes
4XDR	BRAKES, REAR {Meritor 16.5X7 Q-PLUS CAST} Air S-Cam Type, Cast Spider, Fabricated Shoe, Double Anchor Pin, Size 16.5" X 7", 23,000-lb Capacity per Axle
4XDT	BRAKES, FRONT {Meritor 16.5X6 Q-PLUS CAST} Air S-Cam Type, Cast Spider, Fabricated Shoe, Double Anchor Pin, Size 16.5" X 6", 20,000-lb Capacity
4XEE	PARK BRAKE CHAMBERS, ADDITIONAL (2) Spring Brake Type
5710	STEERING COLUMN Tilting and Telescoping
5CAW	STEERING WHEEL 4-Spoke; 18" Dia., Black
5PTB	STEERING GEAR (2) {Sheppard M100/M80} Dual Power
6DGT	DRIVELINE SYSTEM {Dana Spicer} SPL170 Main Driveline with SPL170 Interaxle Shaft, for 6x4
7BEV	AFTERTREATMENT COVER Steel, Black
7BKS	EXHAUST SYSTEM Single, Horizontal Aftertreatment Device, Frame Mounted Right Side Under Cab, for Single Vertical Tail Pipe, Frame Mounted Right Side Back of Cab
7SDP	ENGINE COMPRESSION BRAKE {Jacobs} for Cummins ISL/L9 Engines; with Selector Switch and On/Off Switch
7WAZ	TAIL PIPE (1) Turnback Type
7WDM	EXHAUST HEIGHT 10'
7WDN	MUFFLER/TAIL PIPE GUARD (1) Aluminum
8000	ELECTRICAL SYSTEM 12-Volt, Standard Equipment
	<u>Includes</u>
	: DATA LINK CONNECTOR For Vehicle Programming and Diagnostics In Cab
	: HAZARD SWITCH Push On/Push Off, Located on Instrument Panel to Right of Steering Wheel
	: HEADLIGHT DIMMER SWITCH Integral with Turn Signal Lever
	: PARKING LIGHT Integral with Front Turn Signal and Rear Tail Light
	: STARTER SWITCH Electric, Key Operated
	: STOP, TURN, TAIL & B/U LIGHTS Dual, Rear, Combination with Reflector
	: TURN SIGNAL SWITCH Self-Cancelling for Trucks, Manual Cancelling for Tractors, with Lane Change Feature
	: WINDSHIELD WIPER SWITCH 2-Speed with Wash and Intermittent Feature (5 Pre-Set Delays), Integral with Turn Signal Lever
	: WINDSHIELD WIPERS Single Motor, Electric, Cowl Mounted
	: WIRING, CHASSIS Color Coded and Continuously Numbered
8541	HORN, ELECTRIC (2) Disc Style
8GXB	ALTERNATOR {Leece-Neville AVI160P2003} Brush Type, 12 Volt, 240 Amp Capacity, Pad Mount, with Remote Sense
8HAB	BODY BUILDER WIRING Back of Day Cab at Left Frame or Under Sleeper, Extended or Crew Cab at Left Frame; Includes Sealed Connectors for Tail/Amber Turn/Marker/ Backup/Accessory Power/Ground and Sealed Connector for Stop/Turn
8MJU	BATTERY SYSTEM {Fleetrite} Maintenance-Free, (3) 12-Volt 285CCA Total, Top Threaded Stud
8RGA	2-WAY RADIO Wiring Effects; Wiring with 20 Amp Fuse Protection, Includes Ignition Wire with 5 Amp Fuse, Wire Ends Heat Shrink and Routed to Center of Header Console in Cab
8RMZ	SPEAKERS (2) 6.5" Dual Cone Mounted in Both Doors, (2) 5.25" Dual Cone Mounted in Both B-Pillars
8RNB	CB RADIO Accommodation Package; Header Mounted; Feeds From Accessory Side of Ignition Switch; Includes Power Source and One (1) Antenna, Antenna Base with Wiring on Left Side Mirror

<u>Code</u>	<u>Description</u>
8RPS	RADIO AM/FM/WB/Clock/Bluetooth/USB Input/Auxiliary Input
8THB	BACK-UP ALARM Electric, 102 dBA
8THJ	AUXILIARY HARNESS 3.0' for Auxiliary Front Head Lights and Turn Signals for Front Plow Applications
8TMG	TRAILER CONNECTION SOCKET 7-Way, Mounted at Rear of Frame, Wired for Turn Signals Combined with Stop, Compatible with Trailers with Combined Stop, Tail, Turn Lamps
8VUL	BATTERY BOX Steel, with Plastic Cover, 18" Wide, 2-4 Battery Capacity, Mounted Left Side Back of Cab
8WBW	JUMP START STUD Remote Mounted
8WPH	CLEARANCE/MARKER LIGHTS (5) {Truck Lite} Amber LED Lights, Flush Mounted on Cab or Sunshade
8WPZ	TEST EXTERIOR LIGHTS Pre-Trip Inspection will Cycle all Exterior Lamps Except Back-up Lights
8WRB	HEADLIGHTS ON W/WIPERS Headlights Will Automatically Turn on if Windshield Wipers are turned on
8WSM	SWITCH, BODY CIRCUITS, MID with Remote Power Module Mounted on Battery Box Back of Cab, Up to 6 Outputs & 6 Inputs Each, Max 20 amp per Channel, Max 80 amp Total, Includes 1 Switch Pack with Momentary Switches
8WWJ	INDICATOR, LOW COOLANT LEVEL with Audible Alarm
8WXG	STARTING MOTOR {Mitsubishi Electric Automotive America 105P} 12-Volt, with Soft-Start
8XAH	CIRCUIT BREAKERS Manual-Reset (Main Panel) SAE Type III with Trip Indicators, Replaces All Fuses
8XBK	SWITCH, AUXILIARY Switch 40 amp Circuit for Customer Use; Includes Wiring Connection at Power Distribution Center (PDC) and Control in Cab
8XGT	TURN SIGNALS, FRONT Includes LED Side Turn Lights Mounted on Fender
8XHN	HORN, AIR Single Trumpet, Black, with Lanyard Pull Cord
8XHR	POWER SOURCE, ADDITIONAL Auxiliary Power Outlet (APO) & USB Port, Located in the Instrument Panel
9585	FENDER EXTENSIONS Rubber
9AAB	LOGOS EXTERIOR Model Badges
9AAE	LOGOS EXTERIOR, ENGINE Badges
9HBM	GRILLE Stationary, Chrome
9HBN	INSULATION, SPLASH PANELS for Sound Abatement
9WAC	BUG SCREEN Mounted Behind Grille
9WBC	FRONT END Tilting, Fiberglass, with Three Piece Construction, for WorkStar/HV
10022	CHASSIS COATING Corrosion Resistant E-Coat Primer Coating for Reinforced Frame Rails
10060	PAINT SCHEMATIC, PT-1 Single Color, Design 100
	<u>Includes</u>
	: PAINT SCHEMATIC ID LETTERS "WK"
10761	PAINT TYPE Base Coat/Clear Coat, 1-2 Tone
10JPA	CUSTOMER IDENTITY for National Joint Powers Alliance
10SLV	PROMOTIONAL PACKAGE Government Silver Package
10WCY	SAFETY TRIANGLES
10XAN	FIRE EXTINGUISHER 5 lb Class A B C

<u>Code</u>	<u>Description</u>
10XAP	FIRE EXTINGUISHER BRACKET Mounted Left Side Driver Seat
11001	CLUTCH Omit Item (Clutch & Control)
12703	ANTI-FREEZE Red, Extended Life Coolant; To -40 Degrees F/ -40 Degrees C, Freeze Protection
12849	BLOCK HEATER, ENGINE 120V/1000W, for Cummins ISB/B6.7/ISL/L9 Engines <u>Includes</u> : BLOCK HEATER SOCKET Receptacle Type; Mounted below Drivers Door
12EHY	ENGINE, DIESEL {Cummins L9 370} EPA 2017, 370HP @ 2000 RPM, 1250 lb-ft Torque @ 1400 RPM, 2100 RPM Governed Speed, 370 Peak HP (Max)
12THT	FAN DRIVE {Horton Drivemaster} Two-Speed Type, Direct Drive, with Residual Torque Device for Disengaged Fan Speed <u>Includes</u> : FAN Nylon
12UWZ	RADIATOR Aluminum, Cross Flow, Front to Back System, 1228 SqIn, with 1167 SqIn Charge Air Cooler, Includes In-Tank Oil Cooler <u>Includes</u> : DEAERATION SYSTEM with Surge Tank : HOSE CLAMPS, RADIATOR HOSES Gates Shrink Band Type; Thermoplastic Coolant Hose Clamps : RADIATOR HOSES Premium, Rubber
12VBB	AIR CLEANER Dual Element
12VHJ	FEDERAL EMISSIONS {Cummins L9} EPA, OBD and GHG Certified for Calendar Year 2020
12VXT	THROTTLE, HAND CONTROL Engine Speed Control; Electronic, Stationary, Variable Speed; Mounted on Steering Wheel
12WBR	FAN OVERRIDE Manual; with Electric Switch on Instrument Panel, (Fan On with Switch On)
12WZE	EMISSION COMPLIANCE Federal, Does Not Comply with California Clean Air Idle Regulations
12XBM	ENGINE CONTROL, REMOTE MOUNTED Provision for; Includes Wiring for Body Builder Installation of PTO Controls and Starter Lockout, with Ignition Switch Control, for Cummins B6.7 and L9 Engines
13AVR	TRANSMISSION, AUTOMATIC {Allison 3000 RDS} 5th Generation Controls, Close Ratio, 6-Speed with Double Overdrive, with PTO Provision, Less Retarder, Includes Oil Level Sensor, with 80,000-lb GVW and GCW Max, On/Off Highway
13WET	TRANSMISSION SHIFT CONTROL Column Mounted Stalk Shifter, Not for Use with Allison 1000 & 2000 Series Transmission
13WLP	TRANSMISSION OIL Synthetic; 29 thru 42 Pints
13WUC	ALLISON SPARE INPUT/OUTPUT for Rugged Duty Series (RDS) and Regional Haul Series (RHS), General Purpose Trucks, Construction, Package Number 223
13WVV	NEUTRAL AT STOP Allison Transmission Shifts to Neutral When Service Brake is Depressed and Vehicle is at Stop; Remains in Neutral Until Service Brake is Released
13WYU	SHIFT CONTROL PARAMETERS {Allison} 3000 or 4000 Series Transmissions, Performance Programming
13XAA	PTO CONTROL, DASH MOUNTED For Customer Provided PTO; Includes Switch, Electric/Air Solenoid, Piping and Wiring
13XAL	PTO LOCATION Customer Intends to Install PTO at Left Side of Transmission

<u>Code</u>	<u>Description</u>
14GVM	AXLE, REAR, TANDEM {Meritor MT-40-14X-5DCR-P} Single Reduction, 40,000-lb Capacity, with Lube Oil Pump, .5"(12.7mm) Wall Housing Thickness, Driver Controlled Locking Differential in Forward-Rear and Rear-Rear Axle, R Wheel Ends . Gear Ratio: 5.29
14UMB	SUSPENSION, REAR, TANDEM {Hendrickson HMX-400-52} Walking Beam, 40,000-lb Capacity, 52" Axle Spacing, Rubber Springs, with Transverse Torque Rods, Rubber End Bushings
14WBN	DIFF. SWITCH CONTROLS Two Independent Switches for Control Traction Differentials on Tandem Rear Axles, Mounted on Dash
14WMJ	AXLE, REAR, LUBE {EmGard FE-75W-90} Synthetic Oil; 50 thru 64.99 Pints
15LMR	FUEL/WATER SEPARATOR {Racor 400 Series,} with Primer Pump, Includes Water-in-Fuel Sensor
15LMU	LOCATION FUEL/WATER SEPARATOR Mounted Outside Left Rail, 8" Back of Cab
15SRE	FUEL TANK Top Draw, Non-Polished Aluminum, D-Style, 19" Tank Depth, 50 US Gal (189L), Mounted Left Side, Under Cab
15WDG	DEF TANK 7 US Gal (26L) Capacity, Frame Mounted Outside Left Rail, Under Cab
16030	CAB Conventional, Day Cab
16BAM	AIR CONDITIONER with Integral Heater and Defroster
16GDC	GAUGE CLUSTER Base Level; English with English Speedometer and Tachometer, for Air Brake Chassis, Includes Engine Coolant Temperature, Primary and Secondary Air Pressure, Fuel and DEF Gauges, Oil Pressure Gauge, Includes 3 Inch Monochromatic Text Display
16GHU	GRAB HANDLE, CAB INTERIOR (2) Safety Yellow
16HKT	IP CLUSTER DISPLAY On Board Diagnostics Display of Fault Codes in Gauge Cluster
16JNT	SEAT, DRIVER {National 2000} Air Suspension, High Back with Integral Headrest, Vinyl, Isolator, 1 Chamber Lumbar, with 2 Position Front Cushion Adjust, -3 to +14 Degree Angle Back Adjust
16RPV	SEAT, PASSENGER {National 2000} Air Suspension, High Back with Integral Headrest, Vinyl, Isolated, 1 Chamber Lumbar, 2 Position Front Cushion Adjustment, -3 to +14 Degree Back Adjust
16SNP	MIRRORS (2) C-Loop, Power Adjust, Heated, Black Heads and Arms, 7.5" x 14" Flat Glass, Includes 7.5" x 7" Convex Mirrors, for 102" Load Width
	<u>Notes</u>
	: Mirror Dimensions are Rounded to the Nearest 0.5"
16VCC	SEAT BELT All Orange; 1 to 3
16VKB	CAB INTERIOR TRIM Classic, for Day Cab
	<u>Includes</u>
	: CONSOLE, OVERHEAD Molded Plastic with Dual Storage Pockets, Retainer Nets and CB Radio Pocket; Located Above Driver and Passenger
	: DOME LIGHT, CAB Door Activated and Push On-Off at Light Lens, Timed Theater Dimming, Integral to Overhead Console, Center Mounted
	: SUN VISOR (2) Padded Vinyl; 2 Moveable (Front-to-Side) Primary Visors, Driver Side with Toll Ticket Strap
16WBY	ARM REST, RIGHT, DRIVER SEAT
16WBZ	ARM REST, LEFT, PASSENGER SEAT
16WJU	WINDOW, POWER (2) and Power Door Locks, Left and Right Doors, Includes Express Down Feature
16WSK	CAB REAR SUSPENSION Air Bag Type
16XJN	INSTRUMENT PANEL Flat Panel
16XWD	SUNSHADE, EXTERIOR Aerodynamic, Painted Roof Color, with Integral Clearance/Marker Lights

<u>Code</u>	<u>Description</u>
16ZBT	ACCESS, CAB Steel, Driver & Passenger Sides, Two Steps per Door, for use with Day Cab and Extended Cab
27DUS	WHEELS, FRONT {Accuride 41730} DISC; 22.5x9.00 Rims, Extra Polish Aluminum, 10-Stud, 285.75mm BC, Hub-Piloted, Flanged Nut, with Steel Hubs
28DVP	WHEELS, REAR {Accuride 42644} DUAL DISC; 22.5x8.25 Rims, Extra Polish Aluminum, 10-Stud, 285.75mm BC, Hub-Piloted, Flanged Nut, with Steel Hubs
7382135423	(8) TIRE, REAR 11R22.5 Load Range H HDR2 (CONTINENTAL), 491 rev/mile, 75 MPH, Drive
7792545437	(2) TIRE, FRONT 315/80R22.5 Load Range L HAU 3 WT (CONTINENTAL), 480 rev/mile, 68 MPH, All-Position

Services Section:

40128	WARRANTY Standard for HV507, HV50B, HV607 Models, Effective with Vehicles Built July 1, 2017 or Later, CTS-2025A
1	J&J Dump Body

<u>Description</u>	<u>(US DOLLAR)</u>	<u>Price</u>
Factory List Prices:		
Product Items	\$159,365.00	
Service Items	\$0.00	
Total Factory List Price Including Options:		\$159,365.00
Freight	\$2,350.00	
Total Freight:		\$2,350.00
Total Factory List Price Including Freight:		\$161,715.00
Less Customer Allowance:		(\$57,809.02)
Total Vehicle Price:		\$103,905.98
Total Body/Allied Equipment:		\$64,975.00
Total Sale Price:		\$168,880.98
Total Per Vehicle Sales Price:		\$168,880.98
Net Sales Price:		\$168,880.98

Please feel free to contact me regarding these specifications should your interests or needs change. I am confident you will be pleased with the quality and service of an International vehicle.

Approved by Seller:

Accepted by Purchaser:

Official Title and Date

Firm or Business Name

Authorized Signature

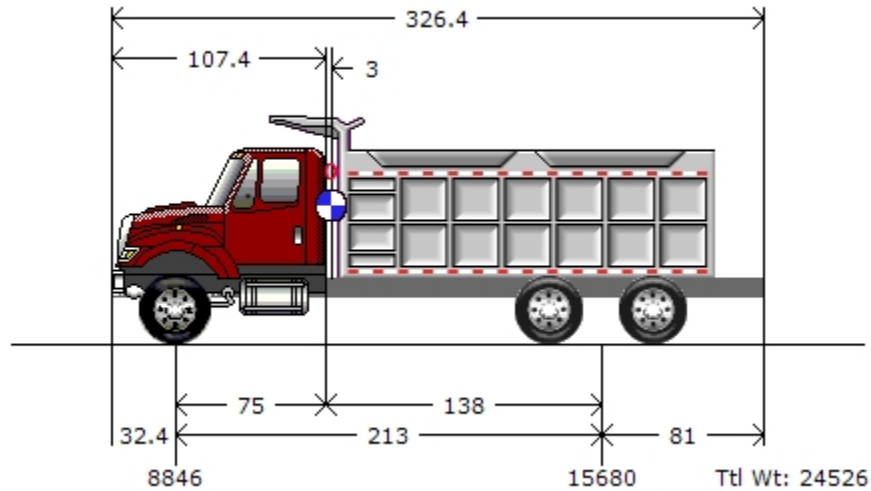
Authorized Signature and Date

This proposal is not binding upon the seller without Seller's Authorized Signature

Official Title and Date

The TOPS FET calculation is an estimate for reference purposes only. The seller or retailer is responsible for calculating and reporting/paying appropriate FET to the IRS.

The limited warranties applicable to the vehicles described herein are Navistar, Inc.'s standard printed warranties which are incorporated herein by reference and to which you have been provided a copy and hereby agree to their terms and conditions.



Graphics are provided as visual aids only and are not intended to represent the actual scale, shape, or color of the truck or its components. All weights are represented in lbs.

Truck			Body/Trailer			Chassis/Empty Weights	
Bumper to Axle	(BA)	32.4	Body Length	(BL)	192	Tractor Front Axle:	8,301
Wheelbase	(WB)	213.00				Tractor Rear Axle:	7,625
Axle to Frame	(AF)	81.00					
Axle to Back Cab	(ABC)	75					
Cab to Axle	(CA)	138					
Usable CA		138					
CA Reduction Adjustment		0.00					
Fuel-Diesel(Gals)		0					
DEF(Gals)		0					

Before the Cab			Cab			Payloads Chassis			Body			After the Body		
#	Weight	CG	#	Weight	CG	#	Weight	CG	#	Weight	CG	#	Weight	CG
									1	0	0			

Loads		Weight Distribution	
Payload Weight:	0	Total Front Axle:	8,846
Driver:	0	Total Rear Axle:	15,680
Fuel-Diesel(Lbs):	0	Total Weight:	24,526
DEF(Lbs):	0		

Weights and clearances in this proposal are estimates only. Navistar, Inc. is not liable for any consequences resulting from any differences between the estimated weights and clearances and the actual manufactured weights and clearances.

Weight Distribution

All weights are represented in lbs.

	<u>Truck</u>		
	Front	Rear	Total
<u>Chassis Weight</u>			
Chassis Weight:	8,301	7,625	15,926
Fuel:	0	0	0
DEF:	0	0	0
Empty Body:	545	8,055	8,600
(Curb Weight):	8,846	15,680	24,526

Loads

Payloads:	0	0	0
Driver:	0	0	0
Axle Totals (Gross Weight):	8,846	15,680	24,526

Weight Ratings

	<u>Truck</u>	
	Front	Rear
Axle(axle capacity)	18,000	40,000
Tire(tire capacity)	20,000	48,040
Suspension(suspension capacity)	18,000	40,000
Spring:	0	
 Fed Bridge Law (axle spread):	 20,000	 34,000 (52")

Wheel Combination	Load	Limit
1 - 3	24,526	50,000

Federal Total Vehicle Weight Limit: 80,000

Maximum Gross Vehicle Weight Rating (GVWR) 58,000 - Gross Vehicle Weight(GVW) 24,526 = 33,474 Reserves

Weight Summary

* Distributed weights are within capacity limits